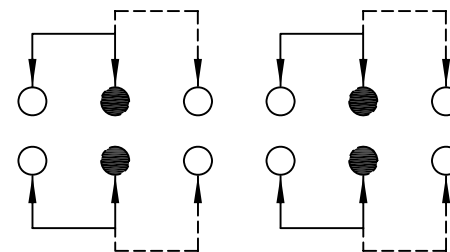
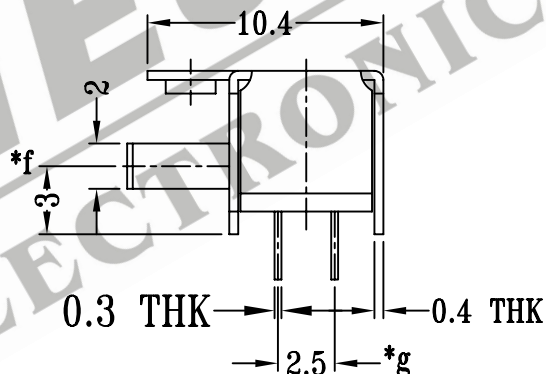
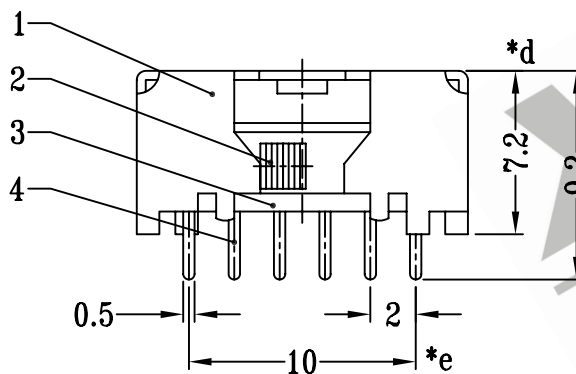
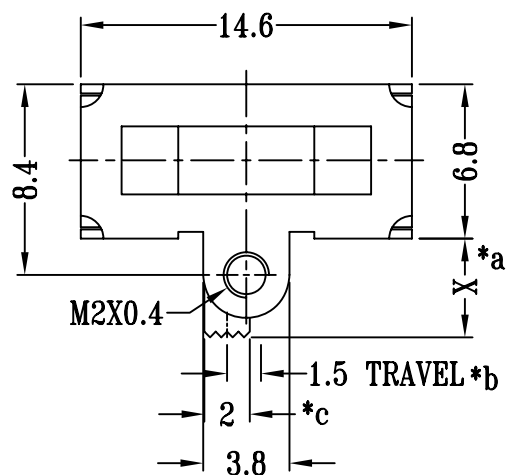
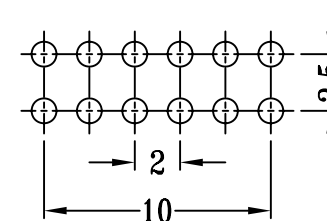


CAD FILE:



SCHEMATIC (NON-SHORTING)



P.C.B LAYOUT

注:带"*"表示关键尺寸(7个)

					TOLERANCE UNLESS SPECIFIED	SHENZHEN XIEJIA ELECTRONICS CO.,LTD.				
8					WITHIN: 1.5±0.1mm OVER : 1.5±0.2mm	ISSUE	DATE	DESCRIPTIONS		APPD.
7										
6	SPRING PLATE	STAINLESS STEEL	1	NATURAL	TITLE : HORIZONTAL SLIDE SWITCH UNIT : MM DRWG NO.: XJ-DR-SK42C06-00 MODEL: SK-42C06 SCALE: 3:1 ALL MATERIALS MUST BE COMPLIANT TO ROHS					
5	CONTACT CLIP	PBS	4	Ag CLAD						
4	TERMINAL	BRASS STRIP	12	Ag PLATED OVER Ni PLATED						
3	BASE	PHENOLIC RESIN	1	NATURAL						
2	KNOB	POM	1	BLACK						
1	FRAME	STEEL STRIP	1	Ni PLATED				CHK'D	FANGYING	2004-9-16
NO.	PART NAME	MATERIAL	Q'TY	FINISHING				APPD.	KANGXINAN	2004-9-16